

# PL4+

The PL4+ represents the most cost effective solution for the detection of flammable, toxic and oxygen contents in small systems.

This panel provides 4 analogue 4-20 mA inputs that can be upgraded to 8 by using the PL4/ESP 4-input expansion module. This extension board offers 4 additional inputs and 16 electrical Open-Collector outputs, which can be converted into relays with the 16-relays board.

The control panel comes complete with 5 relays, one for each one of the 3 thresholds, 1 for fault and 1 programmable.

The LCD display assures a precise indication of the gas concentration being measured and the alarm set points. Mode status LED's provide a visual indication for alarm levels, fault and power-on.

An internal buzzer is provided for an audible alarm in case of alarm or fault. It can be manually silenced with a front panel button.

The PL4+'s ABS cabinet is rated to IP65 and can accommodate a 12 VDC, 7Ah additional battery to ensure its correct working when power supply fails.

PL4+ is SIL1 and it is ATEX marked as follows:

CE 0051 Ex II (2) G [Ex Gb] II



## Electrical data

Power supply	100 - 230 Vac (-20% / +5%) 50Hz
Back-up battery	1 x 12V 7A/h (Optional)
Output supply	13.8 Vdc
Inputs	4 analogue 4-20mA inputs, can be upgraded to 8 by using the PL4/ESP module
Outputs	5 relays: 3 associated to alarm thresholds, 1 to fault and 1 freely programmable With PL4/ESP board 16 O/C outputs are available, convertible into relays with the 16REL module
Absorption	40 mA at 220 V (without connected battery and optional modules)
Fuses	2A delayed, on the main power supply 3A delayed, on gas detectors power supply
Relays contact ratings	10 A at 250V relays of the board panel 6.0 A at 250V relays of 16REL module

## Functionalities

Operating modes	3, set with the key on the front panel: - System ON - System OFF - System in programming mode
Visual indications	LCD display 2rows x 16columns 7 status LEDs: 1 green for the power supply, 2 yellow for low battery supply and fault, 4 red for alarms and auxiliary output
Acoustic indications	Buzzer 70db at 1m
Front panel buttons	Keyboard with two buttons (ACK and reset)

## Environmental conditions

Storage temperature	-20 / +60°C
Operating temperature	0 / +50°C
Operating humidity	15 / 85% RH non condensing

## Box

Material	ABS
Dimensions	426 x 288 x 148 mm
Weight	3.4 kg without battery
IP Grade	IP65

## Compliance

EMC	EN 61000-6-3:2007 + A1:2011; EN 50270:2015
ATEX	ATEX Directive 2014/34/UE EN IEC 60079-0:2018 EN 60079-29-1:2016

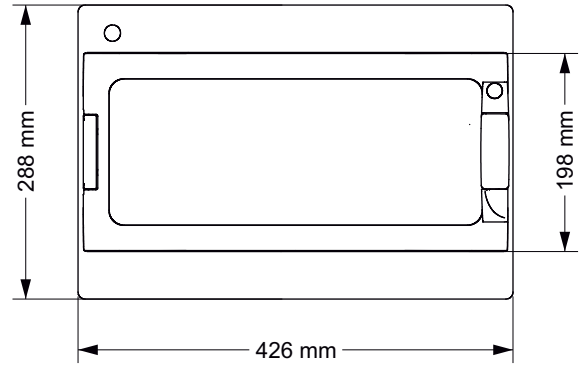
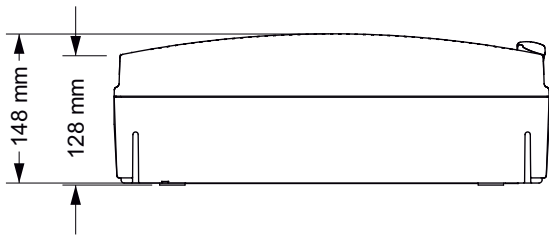
## Product codes

STPL4+	PL4+ gas control panel
STPL4/ESP	4 4-20mA input and 16 O/C outputs expansion module
STG/16REL	16 relay board to connect to PL4/ESP module

# PL4+

## Mechanical drawings

External dimensions



Wall fixing

